

OUTPUT**Frequency**

10 MHz

Level

+13 dBm ± 2 dB into 50 ohms

STABILITY**Aging (typical)**5 x 10⁻¹⁰ per day after 30 days operating.5 x 10⁻⁸ second year3 x 10⁻⁸ per year, thereafter**Phase Noise L(f)**

10 Hz -126 dBc/Hz

100 Hz -146 dBc/Hz

1 kHz -165 dBc/Hz

10 kHz -165 dBc/Hz

Temperature Stability±2 x 10⁻⁹, 0° to +50°C (Ref +25°C)±5 x 10⁻⁹, -20° to +70°C (Ref +25°C)**Harmonics**

≤ -30 dBc

Spurious

≤ -80 dBc

MECHANICAL**Packaging**

Solder sealed steel can

Dimensions

2" x 2" x 1"

Connectors / MountingSMA(f) and solder pins on side;
threaded inserts, #4-40, 2 places**POWER REQUIREMENTS****Warm-Up Power**

≤ 6 Watts for 5 minutes at +25°C

Total Power

≤ 3 Watts at +25°C

Supply Voltage

+15 VDC ±5% to +12 VDC ±5%

ADJUSTMENT**Mechanical Tuning**±1 x 10⁻⁶**Electrical Tuning**±2 x 10⁻⁷, ±5 VDC, Negative slope**CRYSTAL****Type**

10 MHz SC-cut

OTHER**Label**

Label as follows:

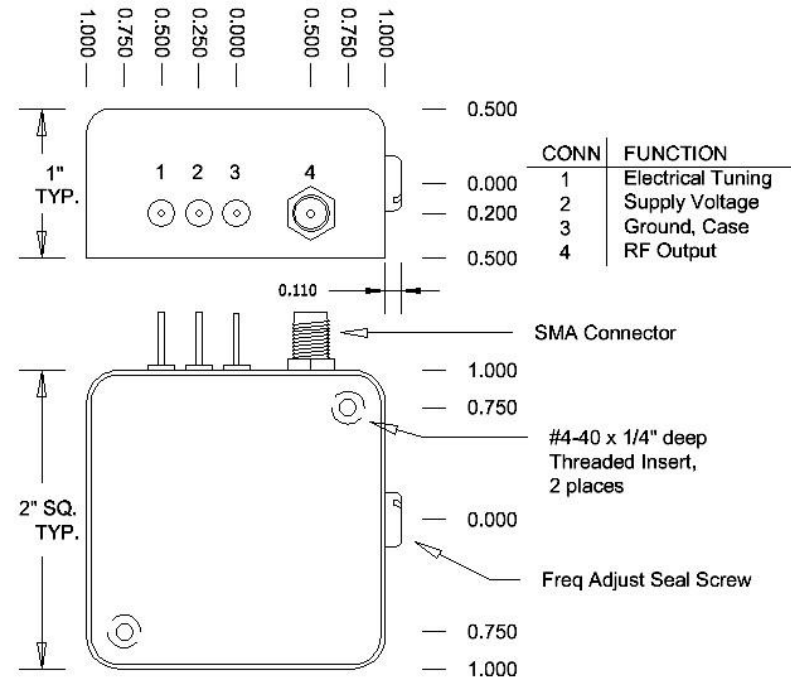
501-33923

10 MHz

+12/+15 VDC

SN – Date Code

REV	DATE	REVISION RECORD	DWN	AUTH
-	11-05-13	Initial Release	BH	LR

Connector numbers are for reference only,
they are not marked on unit.**Wenzel Associates, Inc.**

Austin, Texas

Title:

10 MHz-SC Streamline Crystal Oscillator

P/N:

501-33923

Rev:

-

Date:

04-28-21

Drawn:

Ref:

27501Tolerances:
(except as noted)
Dimensions are in inches0.XX Dec:
±0.030"0.XXX Dec:
±0.010"FSCM:
62821Page **1** of **1**