

REV	DATE	REVISION RECORD	DWN	AUTH
-	02-17-10	Initial Release	SS	BH

OUTPUT

Frequency

5 MHz

Level

13 ±2dBm into 50 ohms

STABILITY

Aging

1 x 10⁻¹⁰ per day
after 30 days operating, typical

Phase Noise L(f)

10 Hz -135 dBc
100 Hz -160 dBc
1 kHz -165 dBc
10 kHz -165 dBc

Temperature Stability

± 2 x 10⁻⁹, 0° to +50°C (Ref +25°C)

MECHANICAL

Dimensions

2 x 2 x 1"

Connectors

SMA's and feedthru capacitor

Packaging

Sealed steel can

POWER REQUIREMENTS

Warm-Up Power

<5 Watts for 5 minutes

Total Power

<2.2 Watts at +25°C

Supply Voltage

+15 VDC

ADJUSTMENT

Mechanical Tuning

±1 x 10⁻⁶

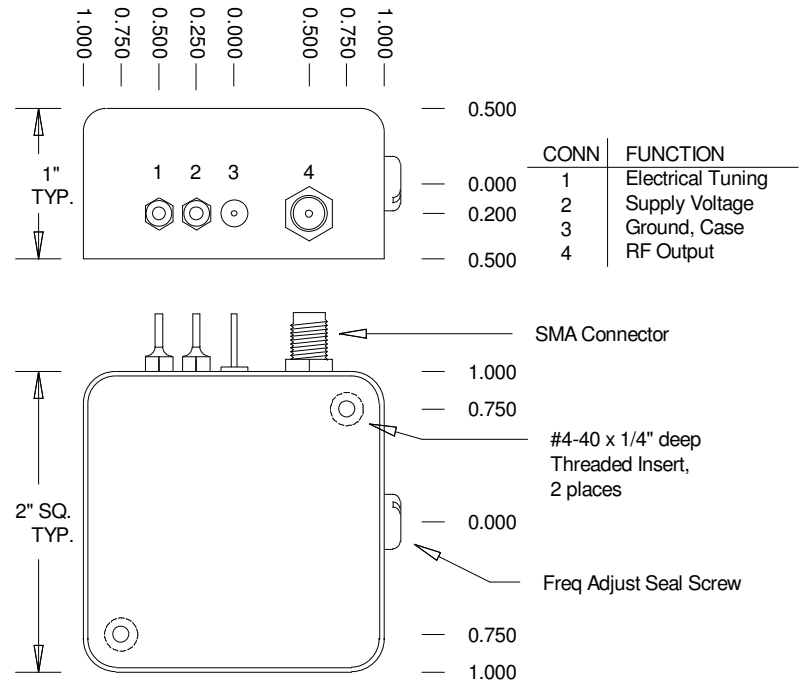
Electrical Tuning

±2 x 10⁻⁷, 0 to +10VDC
Negative slope

CRYSTAL

Type

5 MHz SC- cut



Connector numbers are for reference only, they are not marked on unit.



Wenzel Associates, Inc.

Austin, Texas

Title:

5 MHz-SC Streamline Crystal Oscillator

P/N:

501-22081

Rev:

-

Date:

02-17-10

Drawn:

Ref:

501-04605

Tolerances:
(except as noted)
Dimensions are in inches

0.XX Dec:

±0.030"

0.XXX Dec:

±0.010"

FSCM:

62821

Page 1 of 1