

REV	DATE	REVISION RECORD	DWN	AUTH
-	03-20-96	Draft	BH	
A	11-27-96	Package	BH	

**OUTPUT**

**Frequency**

10 MHz

**Level**

+13 ±2dBm into 50 ohms

**STABILITY**

**Aging**

1 x 10<sup>-9</sup> per day  
after 30 days operating, typical

**Phase Noise L(f)**

10 Hz -125 dBc  
100 Hz -155 dBc  
1 kHz -165 dBc  
10 kHz -165 dBc

**Temperature Stability**

±1.5 x 10<sup>-8</sup>, 0° to +50°C (Ref +25°C)

**MECHANICAL**

**Dimensions**

2 x 2 x 1"

**Connectors**

SMA and feedthru capacitor

**Packaging**

Solder sealed steel can

**POWER REQUIREMENTS**

**Warm-Up Power**

<5 Watts for 5 minutes

**Total Power**

<2.2 Watts at +25°C

**Supply Voltage**

+15 VDC

**ADJUSTMENT**

**Mechanical Tuning**

±1 x 10<sup>-6</sup>

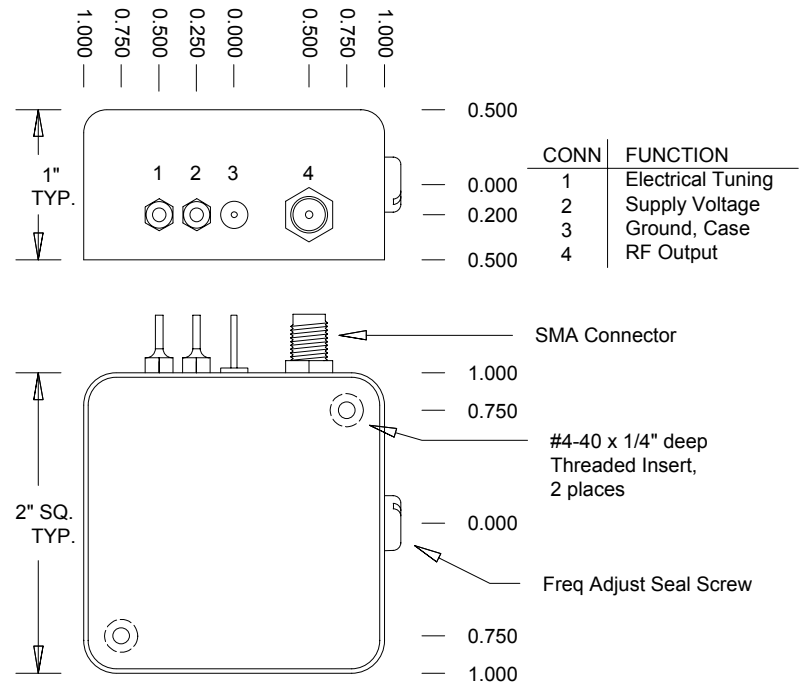
**Electrical Tuning**

±2 x 10<sup>-7</sup>, ±5 VDC  
Negative slope


**CRYSTAL**

**Type**

10 MHz SC-cut



Connector numbers are for reference only, they are not marked on unit.

 <b>Wenzel Associates, Inc.</b> Austin, Texas				
Title:				
<b>Standard 10 MHz-SC Streamline Crystal Oscillator</b>				
P/N:	Rev:	Date:	Drawn:	Ref:
<b>501-04608</b>	<b>A</b>	<b>11-27-96</b>		
Tolerances: (except as noted) Dimensions are in inches		0.XX Dec: <b>±0.030"</b>	0.XXX Dec: <b>±0.010"</b>	FSCM: <b>62821</b>
				Page 1 of 1